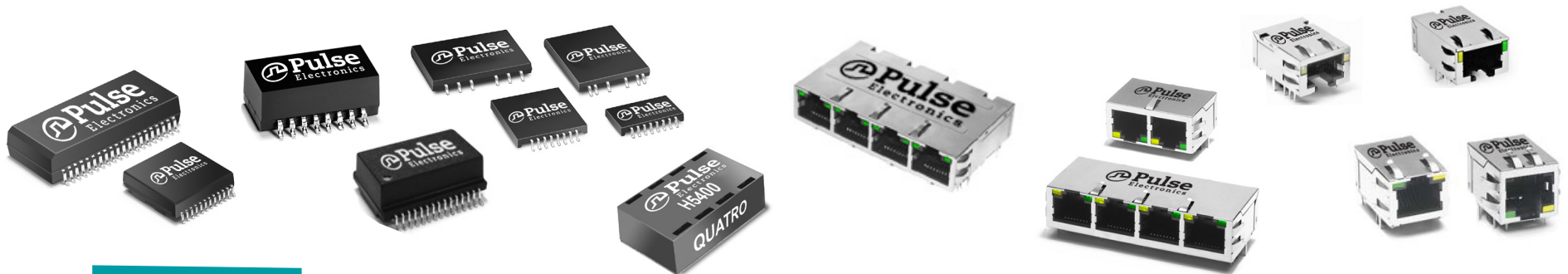




- ⚙️ Ideal for single and multi-port server applications
- ⚙️ Available for PoE, PoE+ and PCI - Express cards.

- ⚙️ Custom design options available (LED, pinout, extended temperature, etc...)
- ⚙️ X = extended temp, P = PoE, PP = PoE+, OS = Offset

MAGNETICS			CONNECTORS WITH INTEGRATED MAGNETICS			
10/100	Gigabit	10GBASE-T	10/100	Gigabit	10GBASE-T	
SINGLE: H1263NL H2019NLP HX1188NLX HX2326NLX, PP	SINGLE: H5062NL H5610NL H6062NLP HX5004ENX HX5062NLX HX5610NLX	SINGLE: (4 channel) (5 channel) H7028FNL H7137FNLP H7029FNLP	1X1: JD1-0003NL JD1-0004NL JKM-0009NL JKM-0010NL JKO-0125NLP JKO-0144NLP	1X1: J1L-0103NL ^{OS} JD1-0001NL JD1-0002NL JKM-0003NL JKM-0004NL JKO-0161NLP JKO-0177NLP JXKO-0190NL	1X1: (4 channel) (5 channel) JT4-1120HL JT3-1101HL JTH-0024NL JT3-1125HL JT4-1108HL JT4-1109HL JT4-1160HL	
DUAL: H1270FNL H2006ANLP HX1294NLX	DUAL: H5014NL HX5014NLX H5200NLP HX5200NLX H5201NL HX5201NLX	For Dual, please contact Pulse	1X2: JX80-0019NLX	1X2: JG0-0129NL JGL-0001NL ^{OS} JGL-0004NL ^{OS} JXG0-0129NLX	1X2: Available for sampling, please contact Pulse	
QUAD: H1164NL HX1234NLX H1259NLP HX1259NLPX H5200NLP HX5201NLX H5201NL HX5200NLX	QUAD: H5200NLP HX5400NLPX H5400NLP HX5401NLX H6400NLP	For Quad, please contact Pulse	1X4: J1N-0013NL J80-0004NL JX80-0033NLX	1X4: J1N-0002NL JG0-0098NL JXG0-0098NLX	1X4: (4 channel) JT6-1473NL JT6-1480NLP	

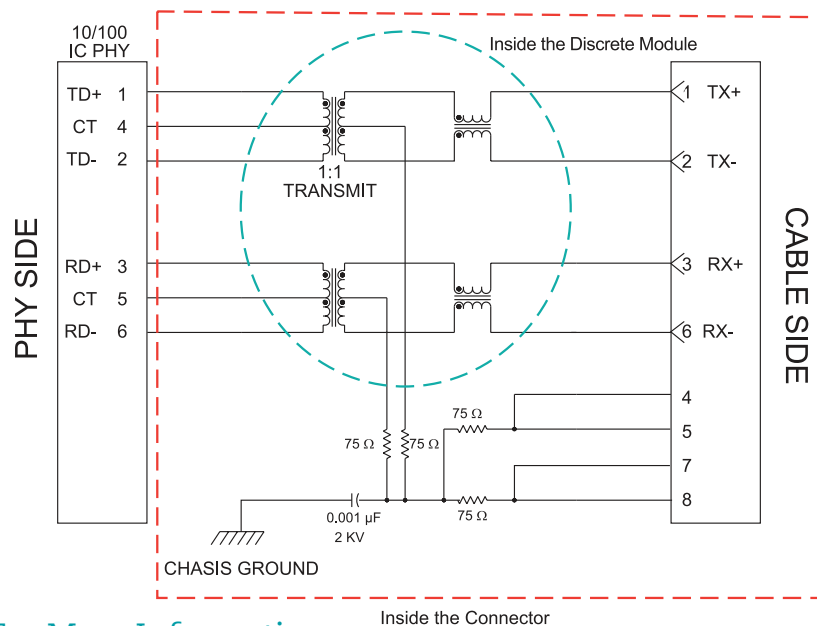




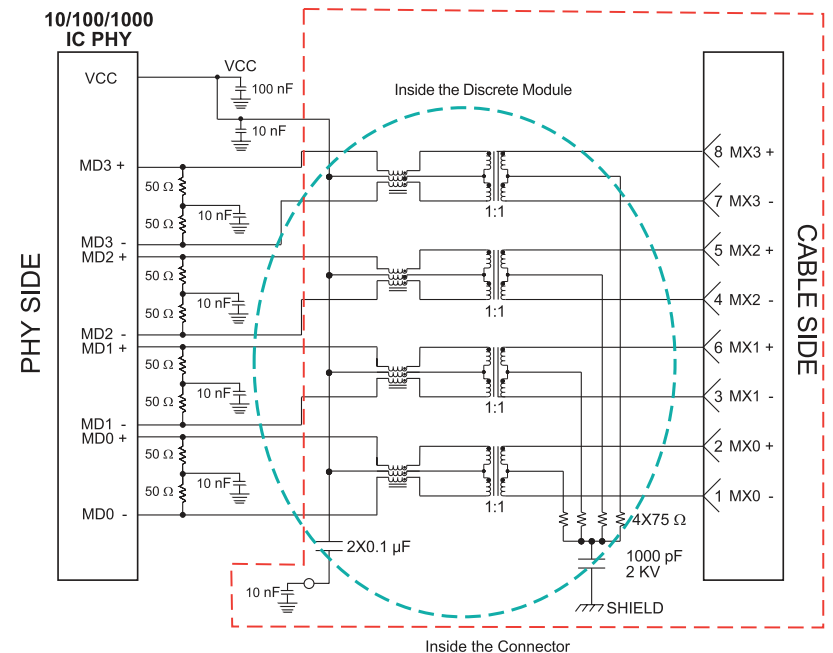
Application Notes

- Layering ground planes is advisable. Route connector/discrete module ground pins to chassis/analog ground if possible.
- Keep signal traces from PHY to connector/discrete module as short as possible. If traces exceed 3-4 inches, pay close attention to line impedance imbalance.
- Using BST (75Ω resistors and high voltage cap to chassis ground) to terminate Cable side CTs is advisable for best EMI performance (included in most connector solutions).
- Follow PHY manufacturer’s application notes for further layout

10/100 APPLICATION CIRCUIT



TYPICAL 10GBASE-T /GIGABIT CIRCUIT



For More Information

Pulse Worldwide Headquarters
12220 World Trade Drive
San Diego, CA 92128
U.S.A.

Pulse Europe
Zeppelinstrasse 15
71083 Herrenberg
Germany

Pulse China Headquarters
B402, Shenzhen Academy of
Aerospace Technology Bldg.
10th Kejian Road
High-Tech Zone
Nanshan District
Shenzhen, PR China 518057
Tel: 86 755 33966678
Fax: 86 755 33966700

Pulse North China
Room 2704/2705
Super Ocean Finance Ctr.
2067 Yan An Road West
Shanghai 200336
China
Tel: 86 21 62787060
Fax: 86 2162786973

Pulse South Asia
135 Joo Seng Road
#03-02
PM Industrial Bldg.
Singapore 368363

Pulse North Asia
3F, No. 198
Zhongyuan Road
Zhongli City
Taoyuan County 320
Taiwan R. O. C.
Tel: 886 3 4356768
Fax: 886 3 4356823 (Pulse)
Fax: 886 3 4356820 (FRE)

Tel: 858 674 8100
Fax: 858 674 8262

Tel: 49 7032 78060
Fax: 49 7032 7806 135

Tel: 65 6287 8998
Fax: 65 6287 8998

Performance warranty of products offered on this data sheet is limited to the parameters specified. Data is subject to change without notice. Other brand and product names mentioned herein may be trademarks or registered trademarks of their respective owners. © Copyright, 2019. Pulse Electronics, Inc. All rights reserved.