

NFC Planar Ferrite Sheet Antenna W7015

Applications

- Mobile devices
- Payment, sharing & pairing and connect to tags

Features

- Frequency 13.56 MHz
- Size 35 x 50 x 0.185 mm
- Sintered ferrite (total thickness 0.1 mm)
- Magnetic field strength optimized by ferrite material type and thickness selection, and the radiator pattern



Benefits

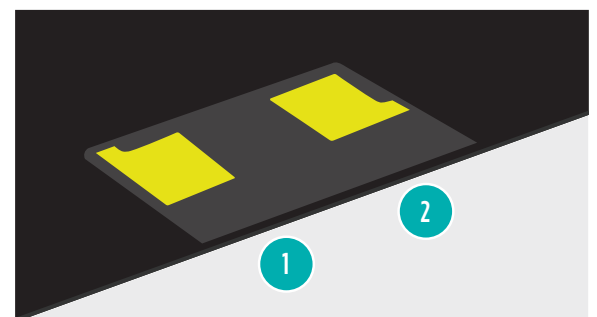
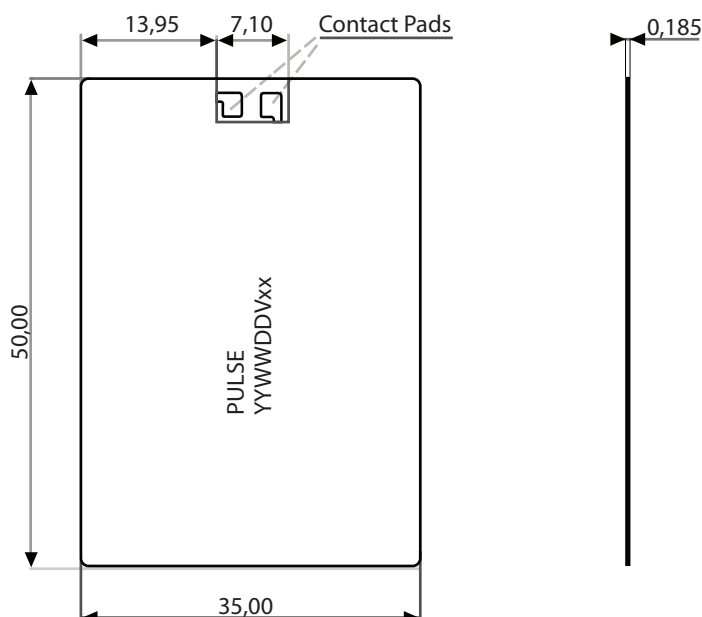
- Good performance on top of metal
- Thin structure
- Easily assembled to device covers
- The best reading position directed towards the back cover
- Well known antenna concept ready for mass production

Electrical specifications @ +25 °C

Note: Electrical characteristics depend from distance of metal objects and the location of the antenna on the handset

Typical performance					
Frequency Range [MHz]	EMVCo Reading Distance [mm]	Reading Distance against NFC card avg. [mm]	Impedance [Ω]	Q-factor	Operating Temperature [$^{\circ}\text{C}$]
13.56MHz	40	24	50/80	30	-40 to +85 $^{\circ}\text{C}$

Terminal configuration and dimensions of the antenna



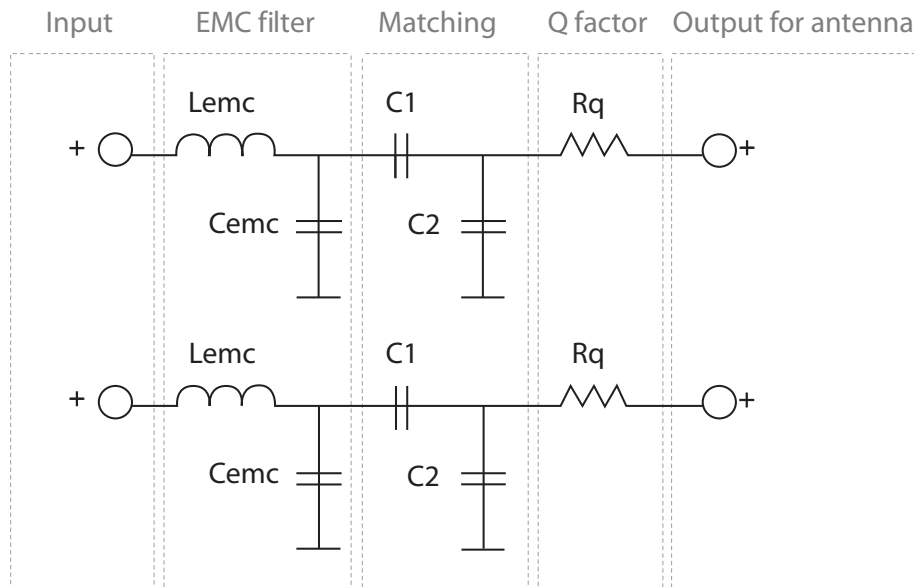
Terminal configuration and dimensions of the antenna

No.	TerminalName	Terminal Dimensions
1	Feed	2 x 2 mm
2	Feed	2 x 2 mm

Mounting of NFC antenna

1. Recommend mounting of NFC antenna: Inside surface of Battery Cover.
2. Surface texture of face of joint: VDI 3400 NO. 24 (Ra 1.6) of equal
3. Double-curvature on face of joint are not recommended

Recommended matching network



Component	Value	Note
Lmc	560 nH	Filter resonance at 15.4 MHz
Cemc	180 pF	Filter resonance at 15.4 MHz
C1	27 pF	Antenna matching component, value depends on the antenna environment
C2	144 pF (includes C2a and C2b values)	Antenna matching component, value depends on the antenna environment
Rq	0 Ohm	Rq resistors used to lower Q-value if above 35

For More Information

Pulse Antennas Europe

Finland, Kempele
Tel. +358 207 935 500

Pulse Antennas USA

San Diego, CA
Tel. +1 858 674 8100

Pulse Antennas Asia

China, Suzhou
Tel. +86 512 6807 9998

Korea, Suwon
Tel. +82 31 213 2001

Taiwan, Zhongli
Tel. +886-3-4356768

mobiledeviceantenna.sales@pulseelectronics.com

Performance warranty of products offered on this data sheet is limited to the parameters specified. Data is subject to change without notice. Other brand and product names mentioned herein may be trademarks or registered trademarks of their respective owners. © Copyright, 2011. Pulse Electronics, Inc. All rights reserved.