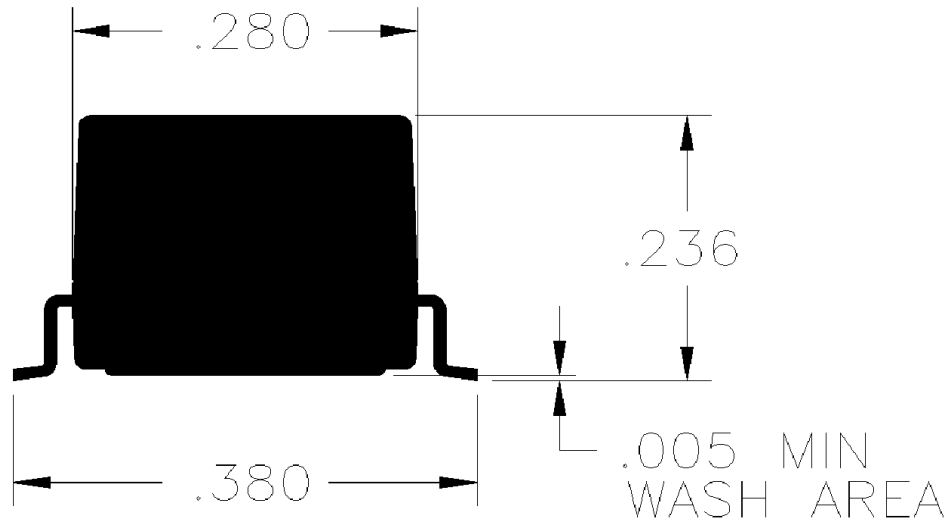


Packages FNL vs. NL

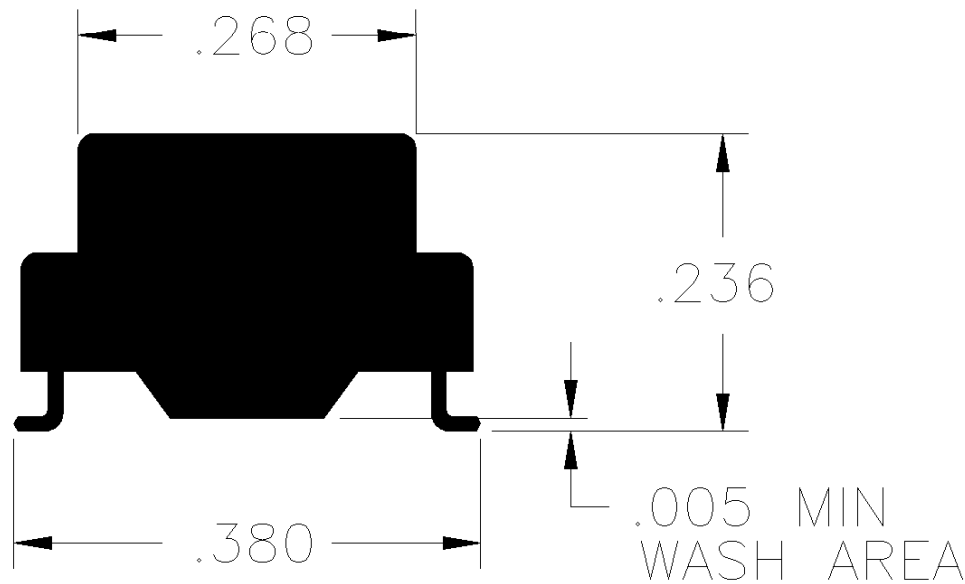
September 2013

Package - A Comparison between FNL vs. NL

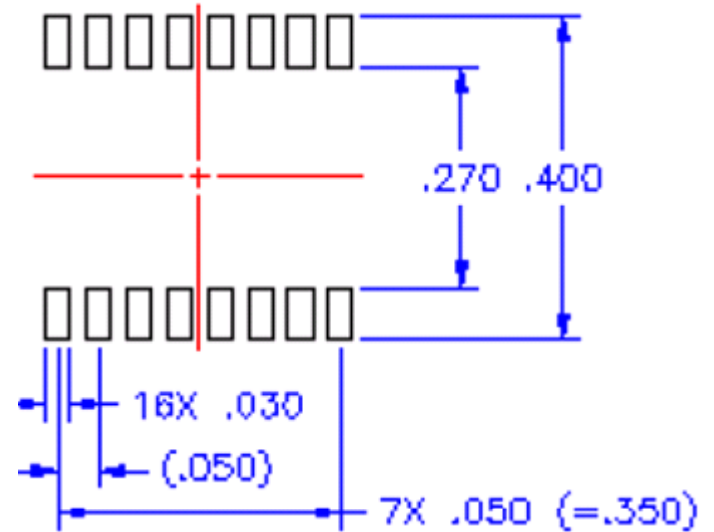
NL



FNL

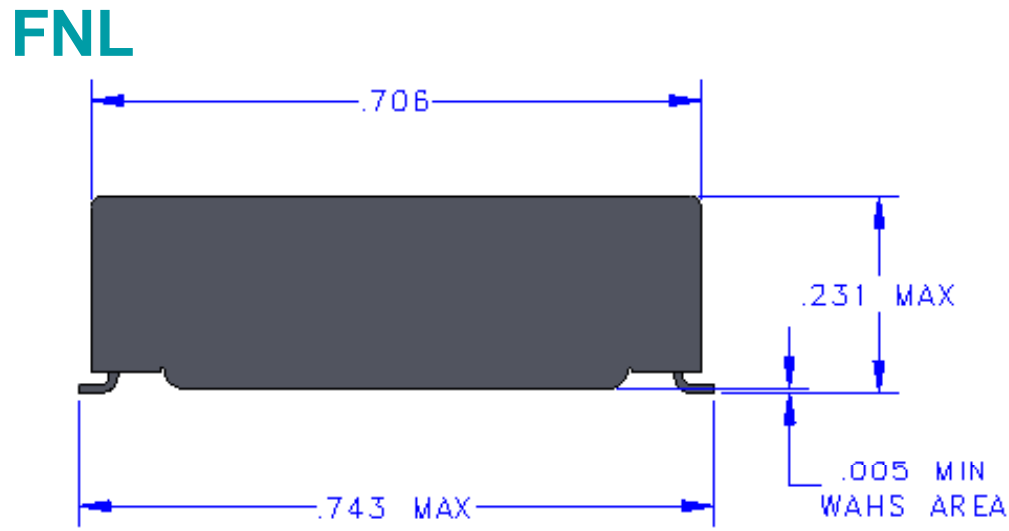
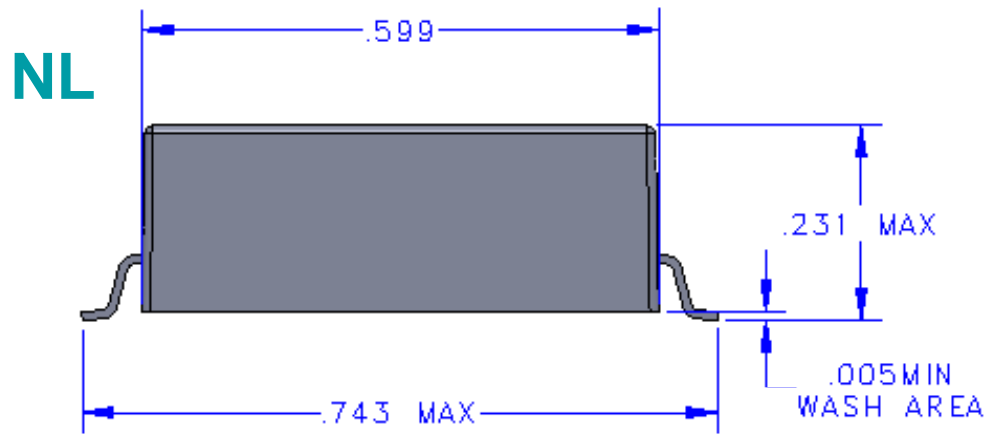


Same Footprint

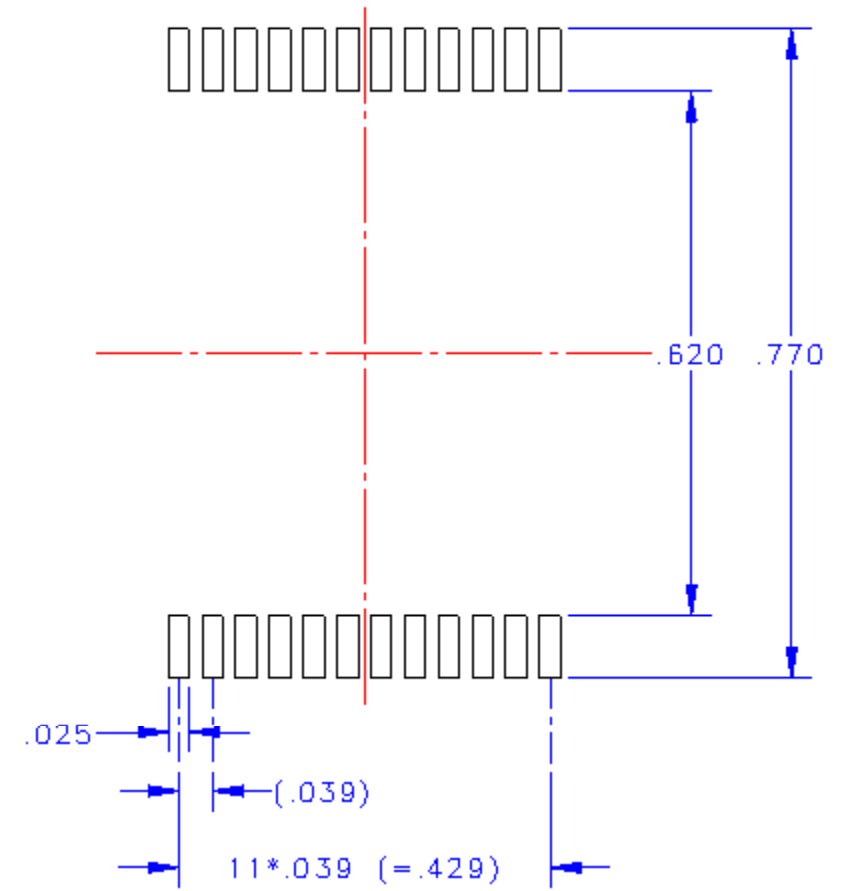


SUGGESTED LAND PATTERN

Package - B Comparison between FNL vs. NL

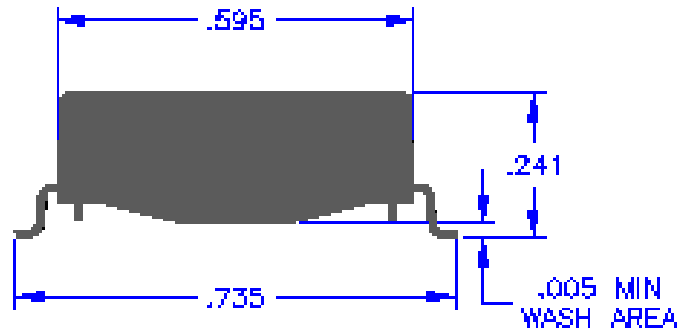


Same Footprint

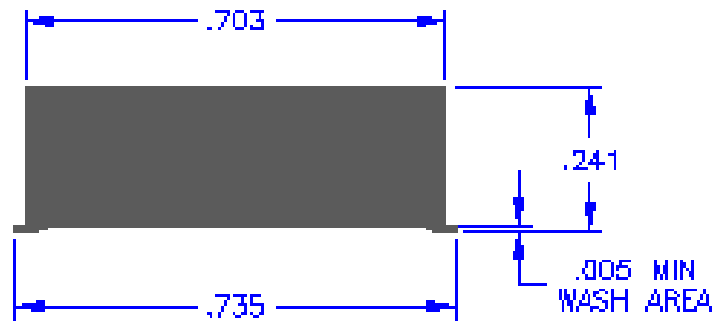


Package - C Comparison between FNL vs. NL

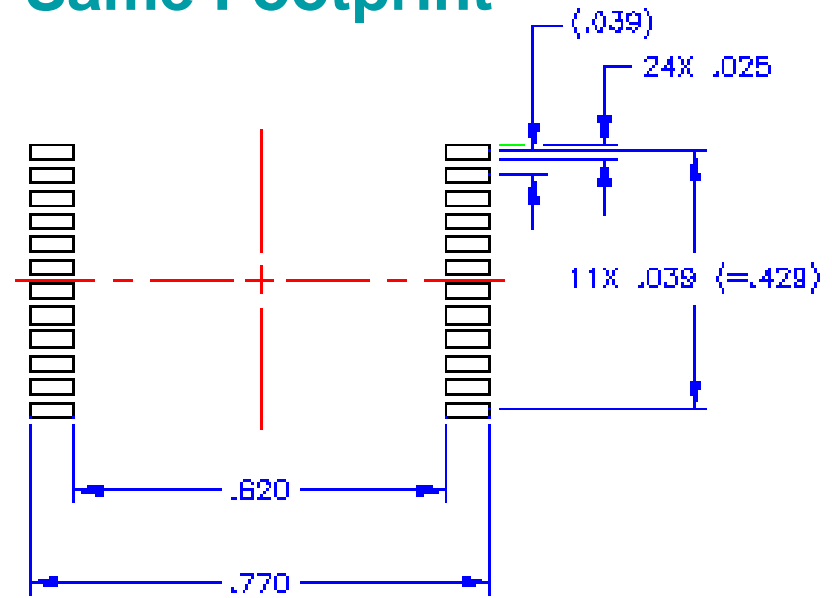
NL



FNL

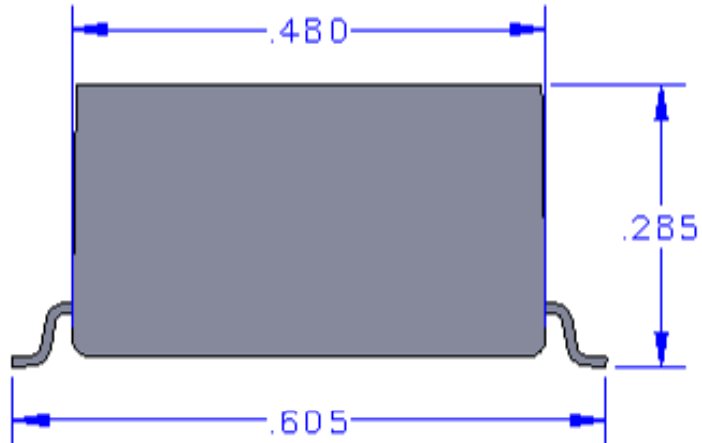


Same Footprint

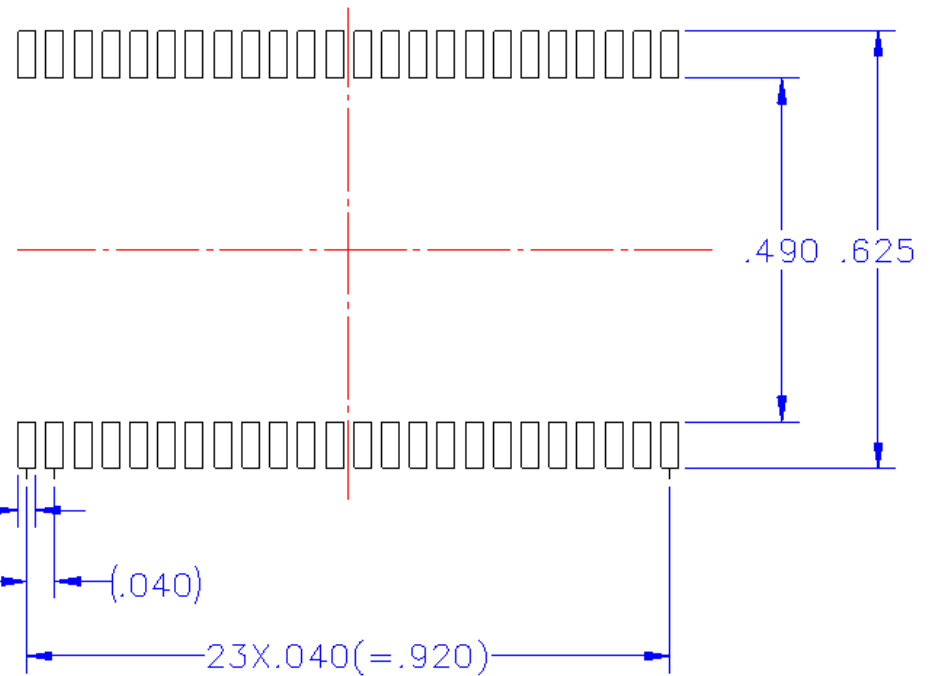


Package - D Comparison between FNL vs. NL

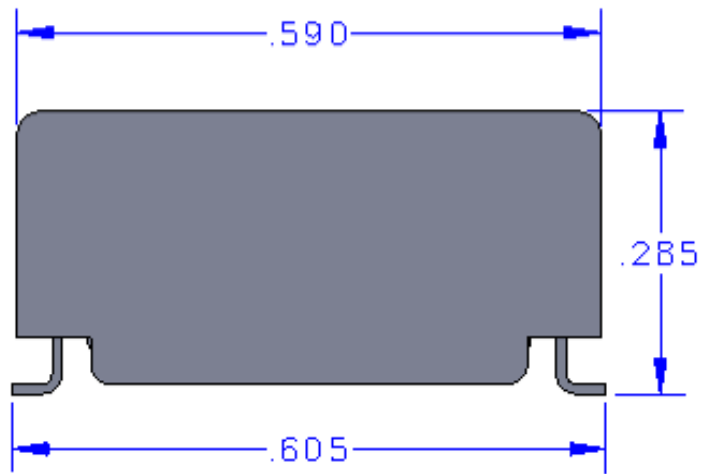
NL



Same Footprint

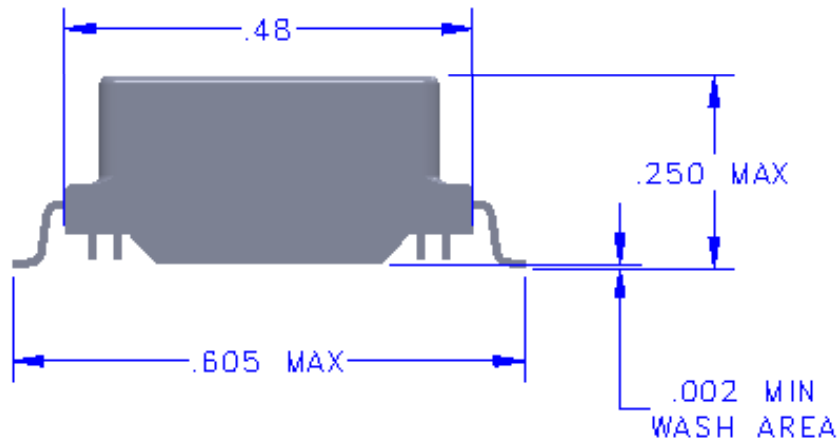


FNL

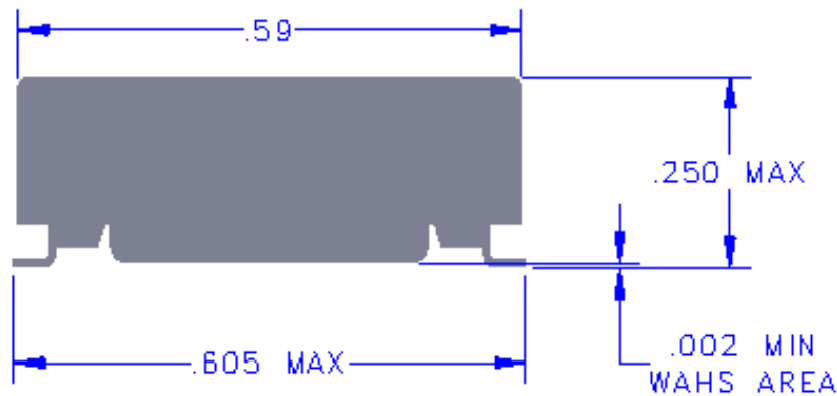


Package – E Comparison between FNL vs. NL

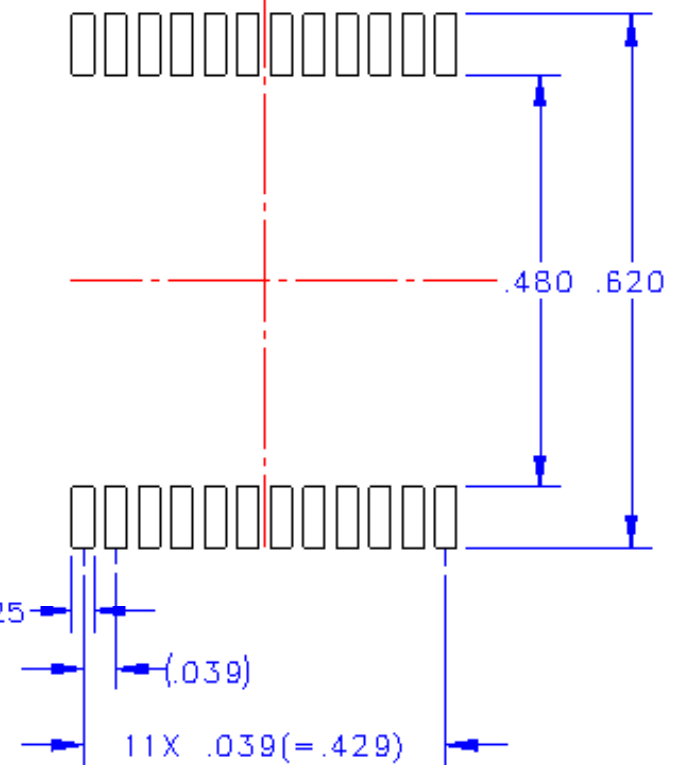
NL



FNL

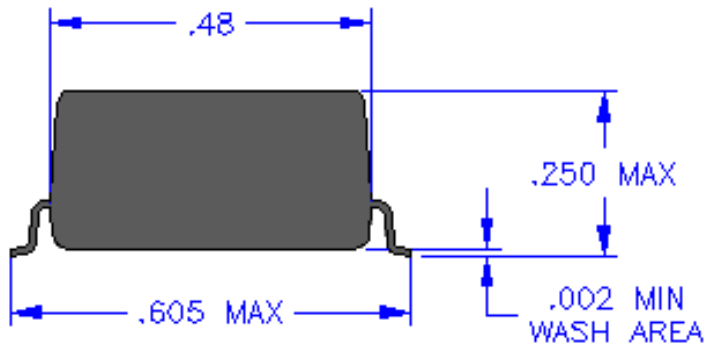


Same Footprint

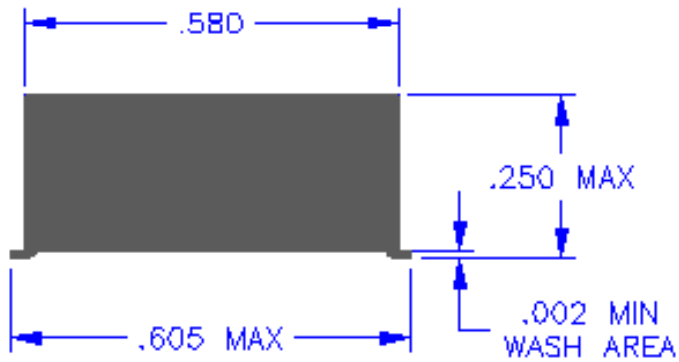


Package - F Comparison between FNL vs. NL

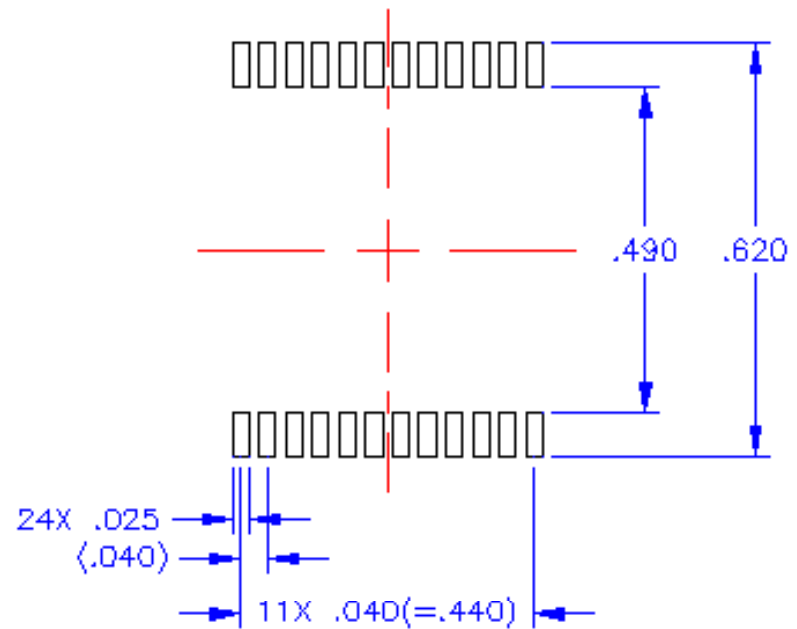
NL



FNL



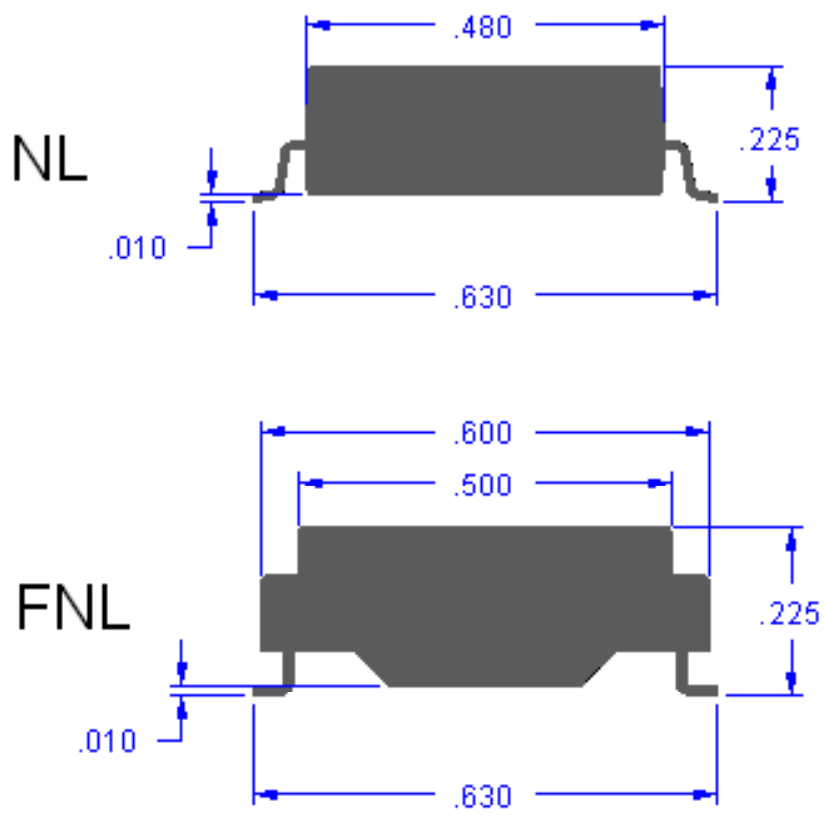
Same Footprint



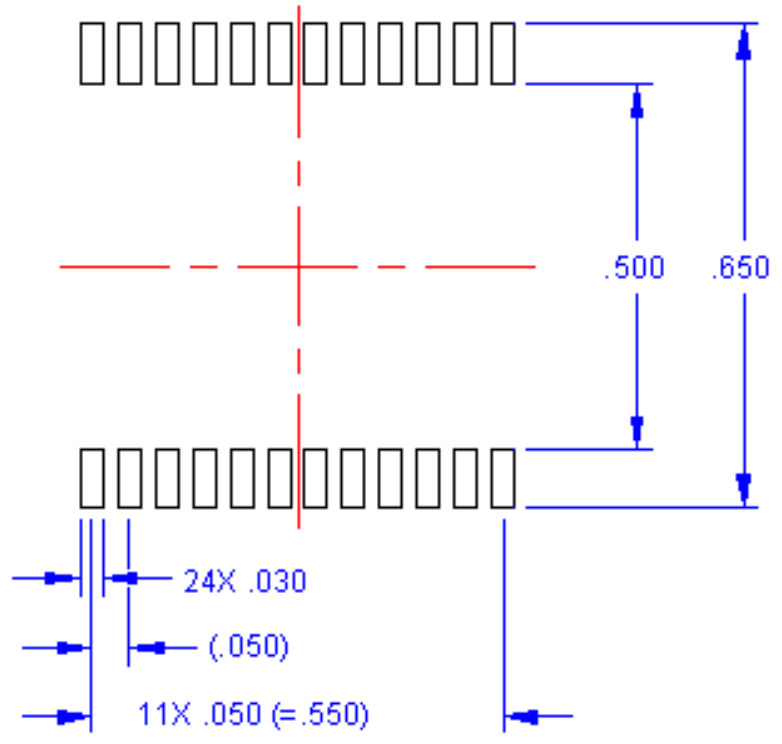
SUGGESTED LAND PATTERN

Package - G

Comparison between FNL vs. NL



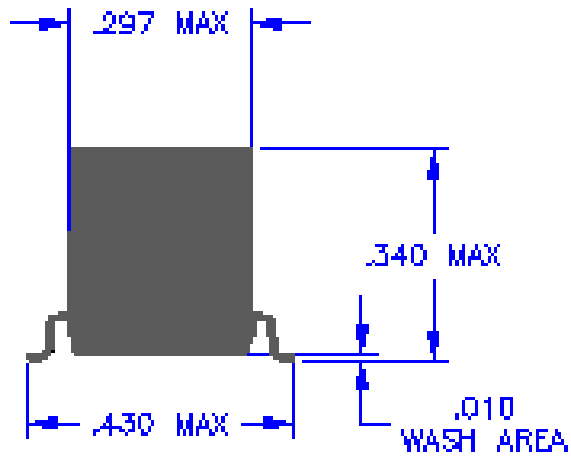
Same Footprint



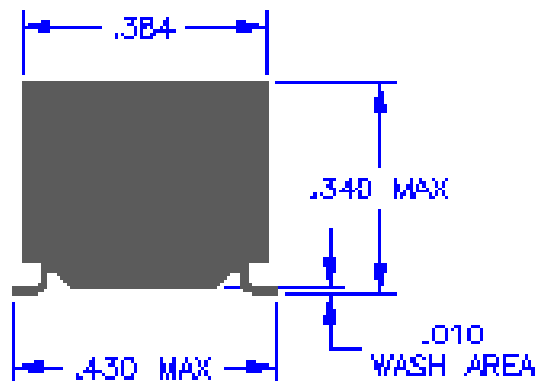
SUGGESTED LAND PATTERN

Package - H Comparison between FNL vs. NL

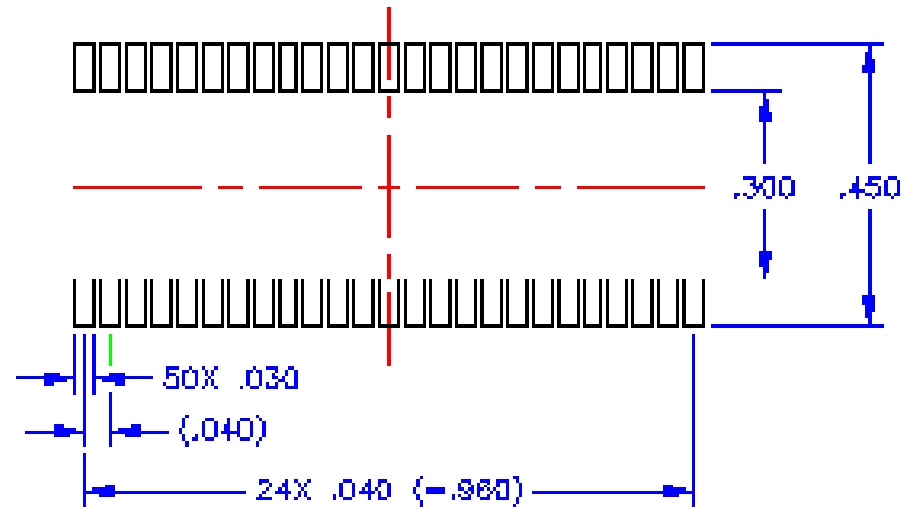
NL



FNL



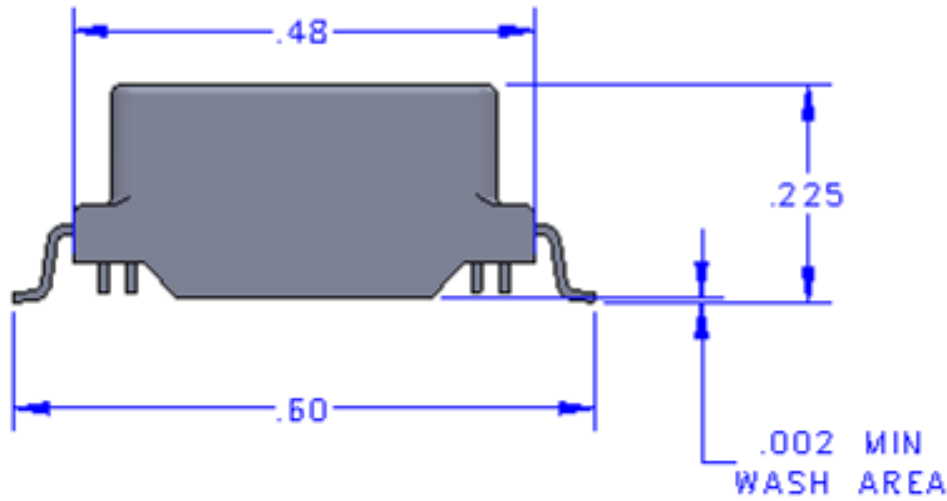
Same Footprint



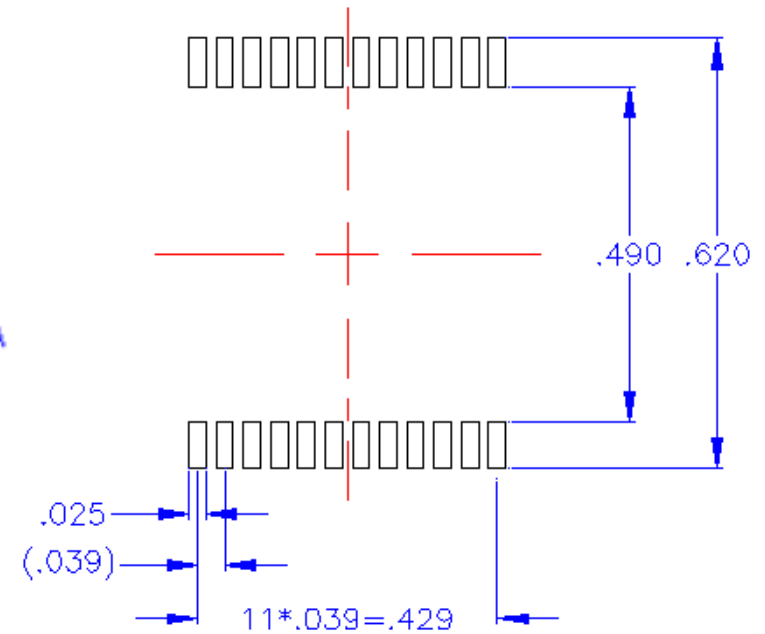
SUGGESTED LAND PATTERN

Package - I Comparison between FNL vs. NL

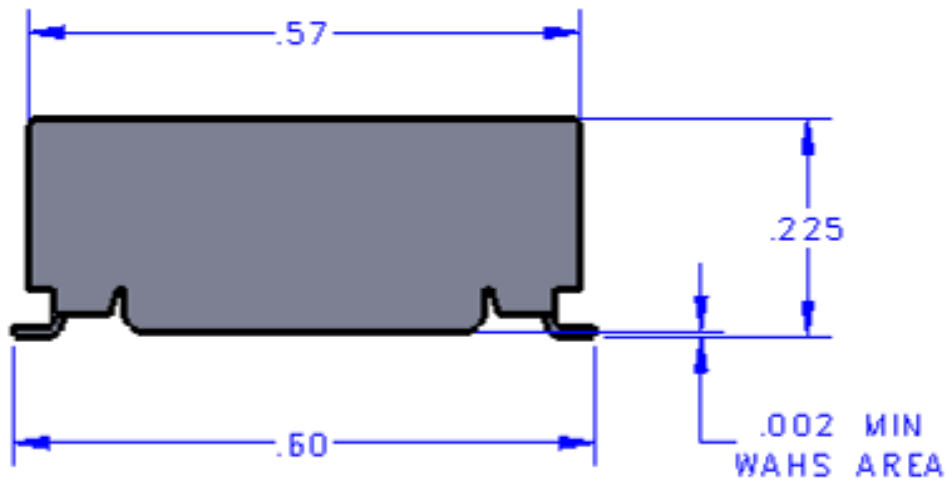
NL



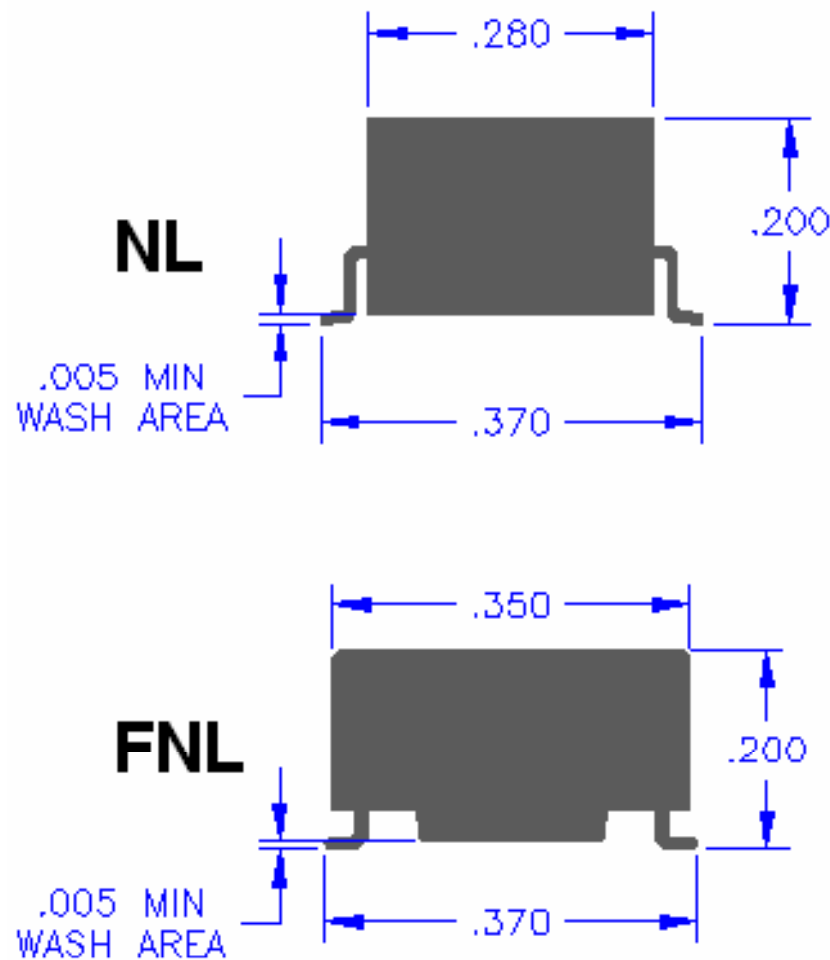
Same Footprint



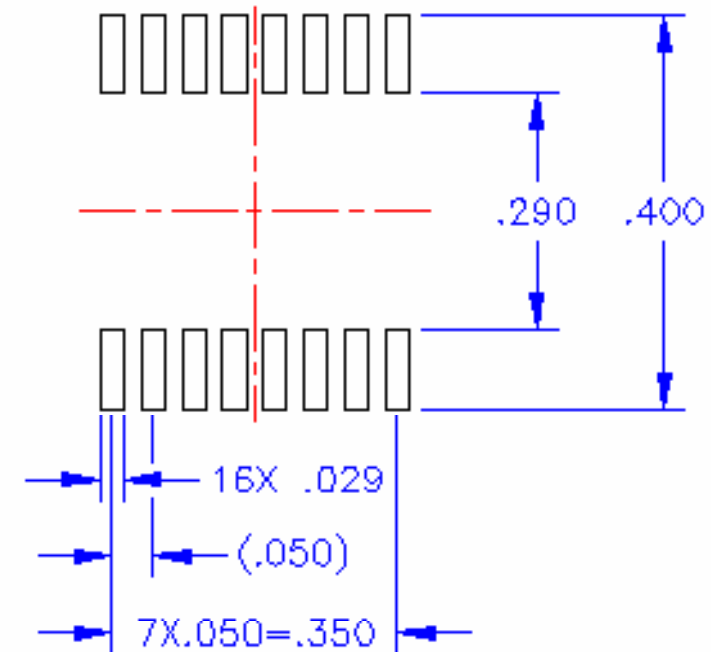
FNL



Package - J Comparison between FNL vs. NL

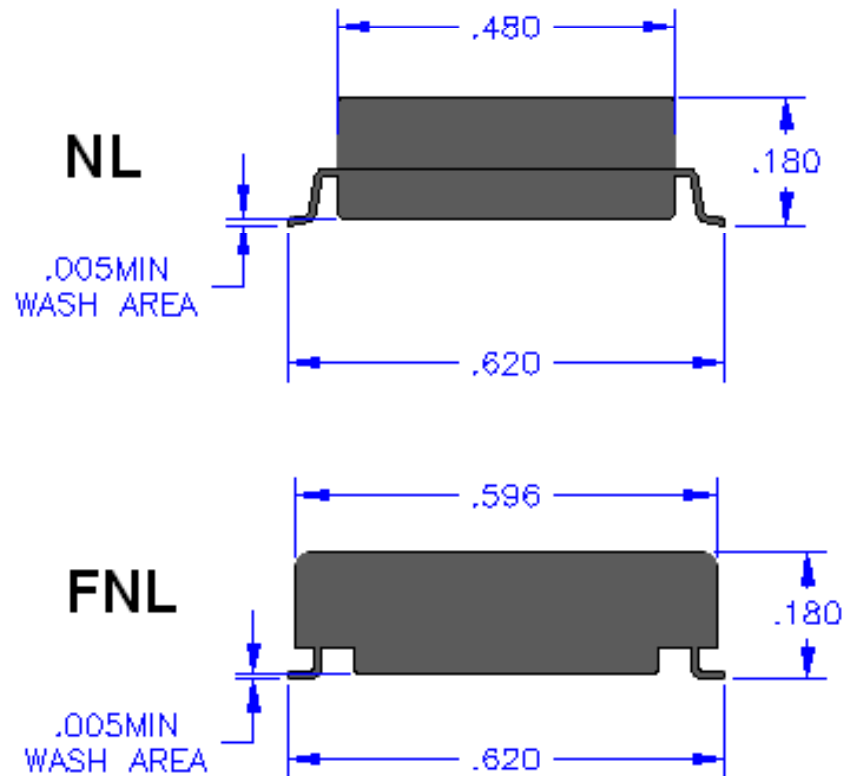


Same Footprint

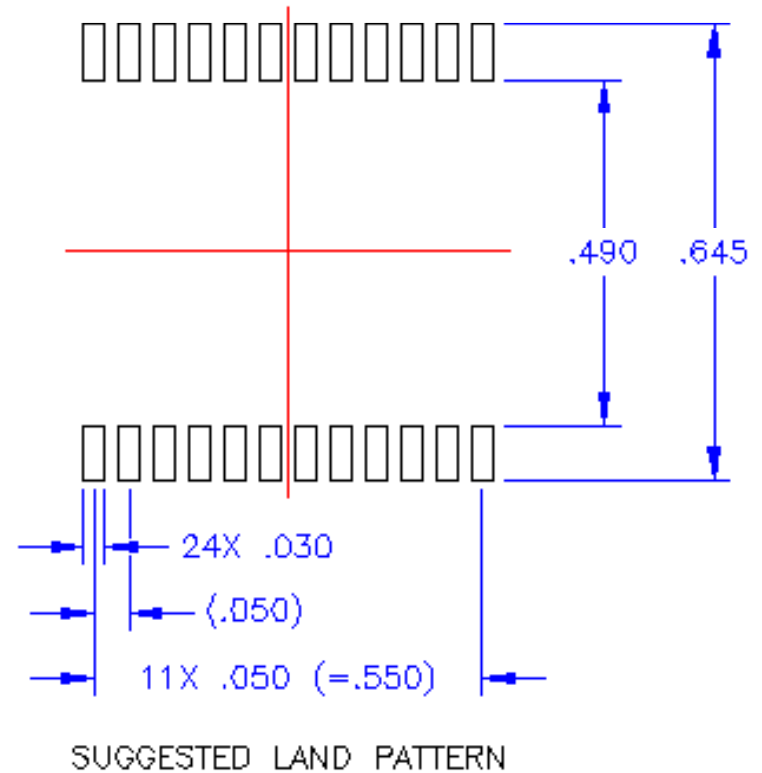


SUGGESTED LAND PATTERN

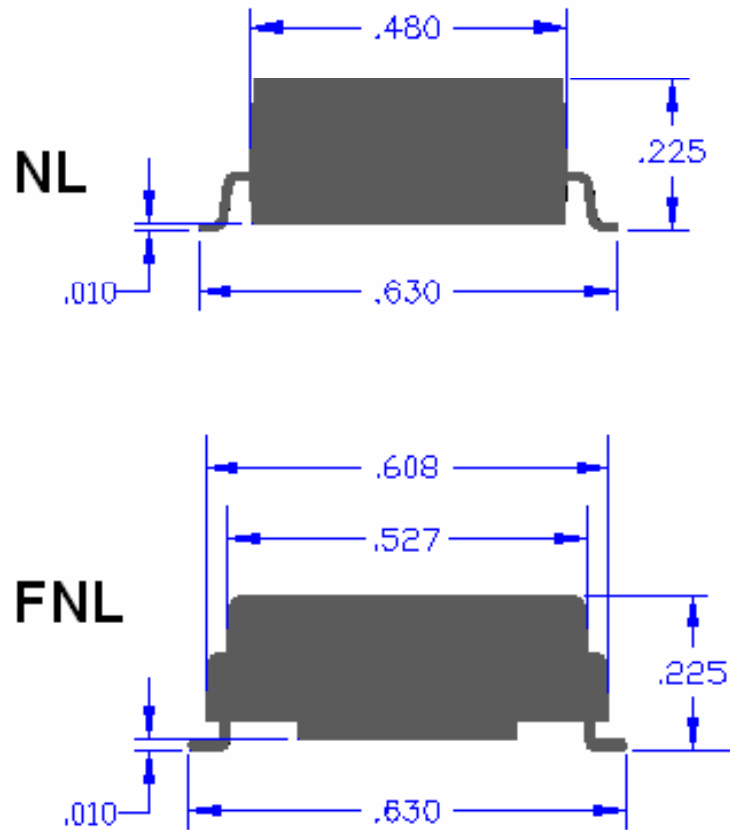
Package - K Comparison between FNL vs. NL



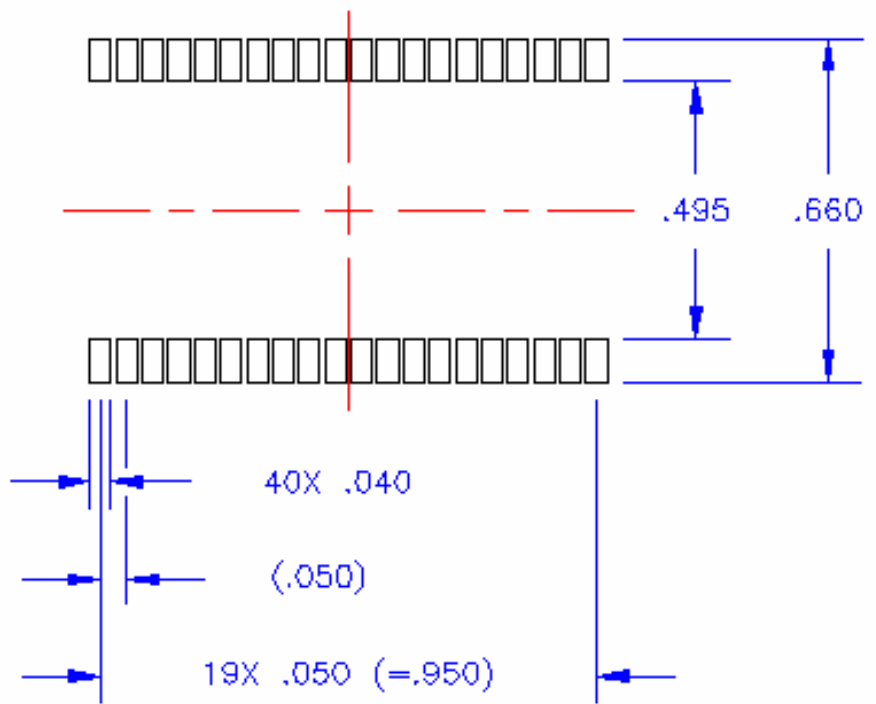
Same Footprint



Package - L Comparison between FNL vs. NL

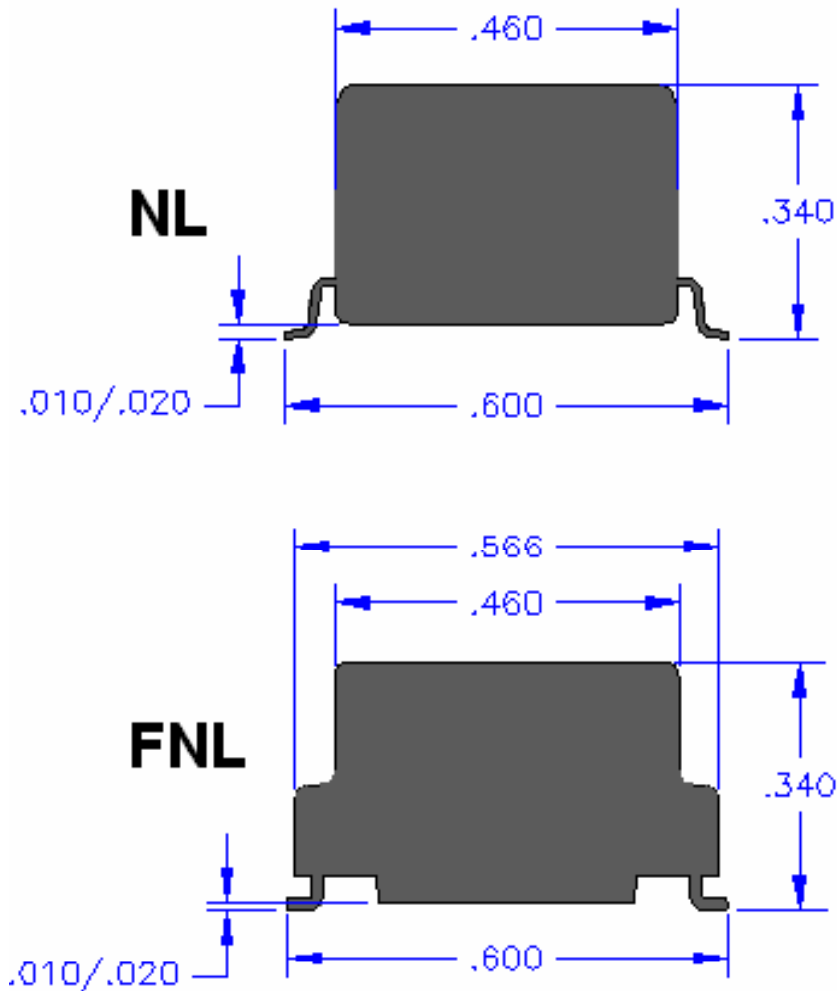


Same Footprint

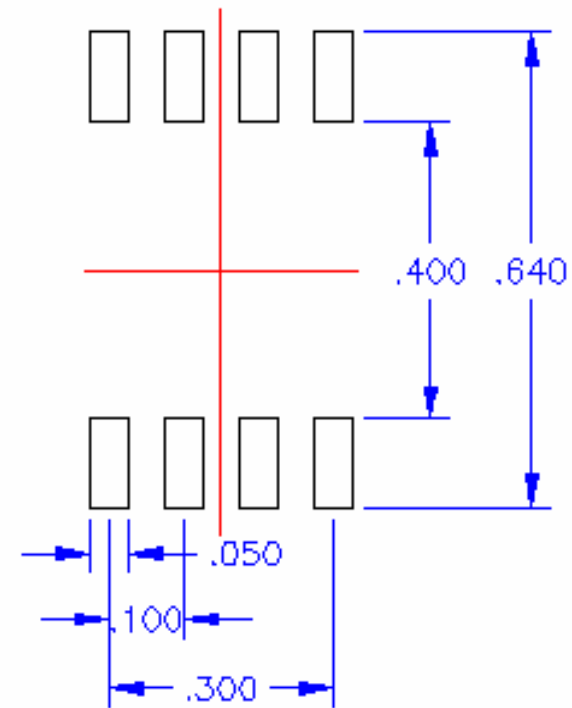


SUGGESTED LAND PATTERN

Package - M Comparison between FNL vs. NL

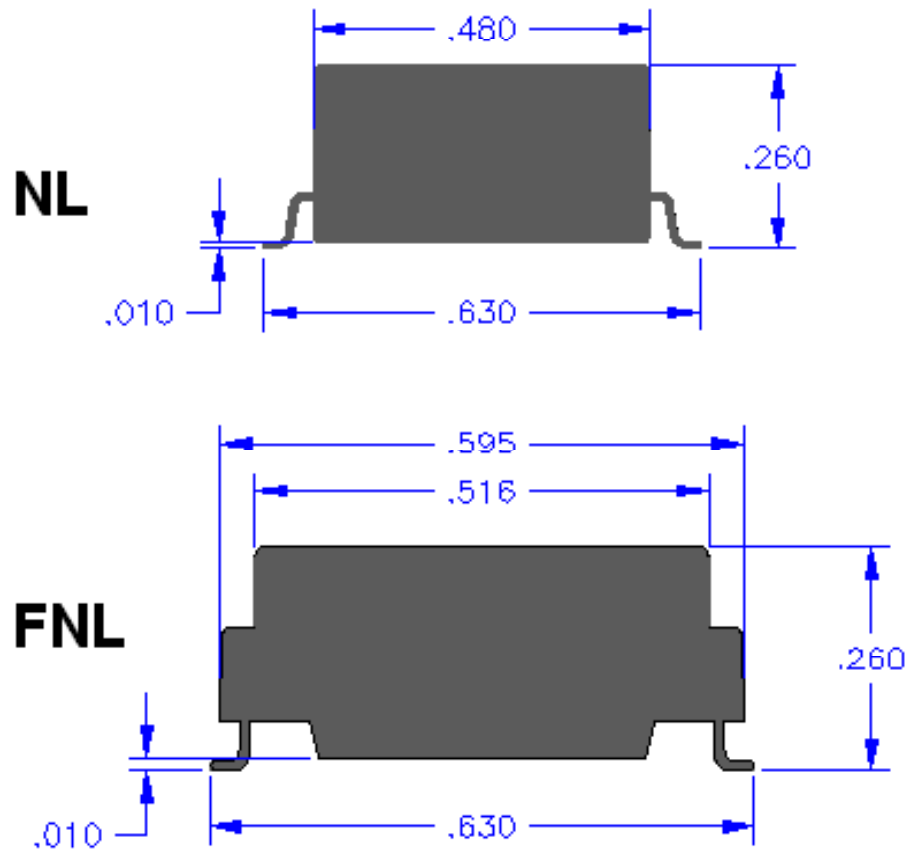


Same Footprint

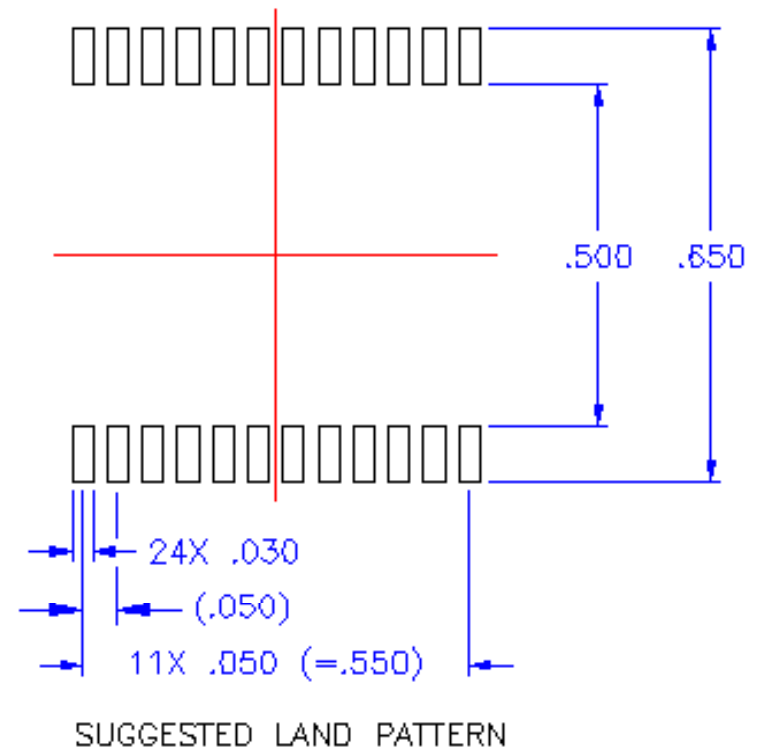


SUGGESTED LAND PATTERN

Package - N Comparison between FNL vs. NL

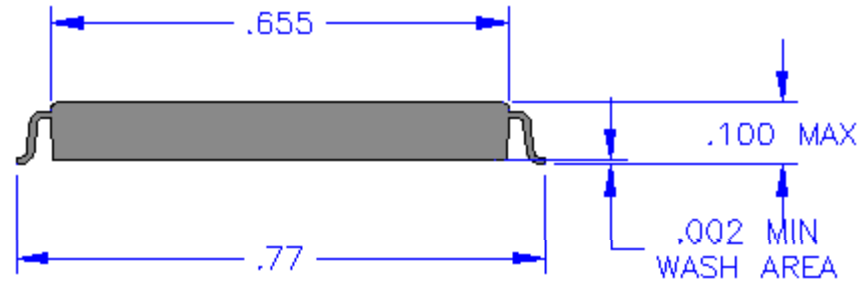


Same Footprint

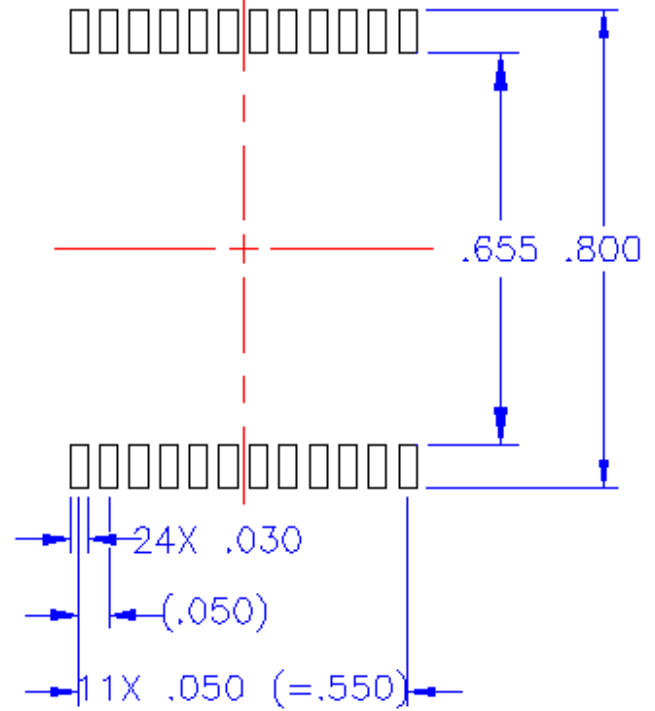


Package - O Comparison between FNL vs. NL

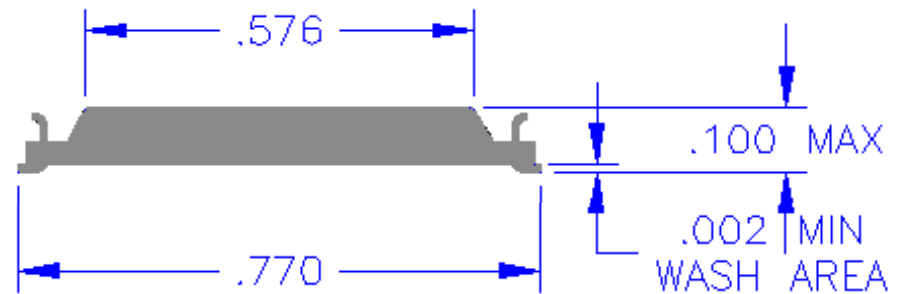
NL



Same Footprint

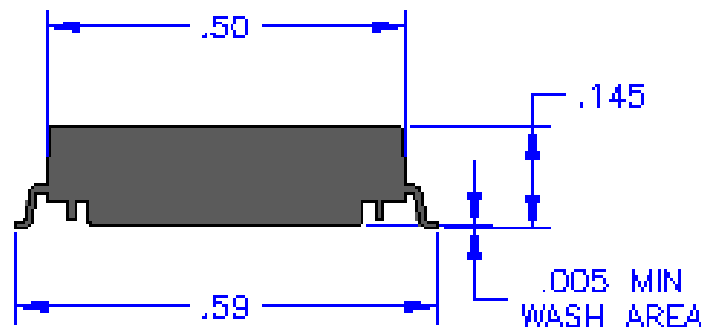


FNL

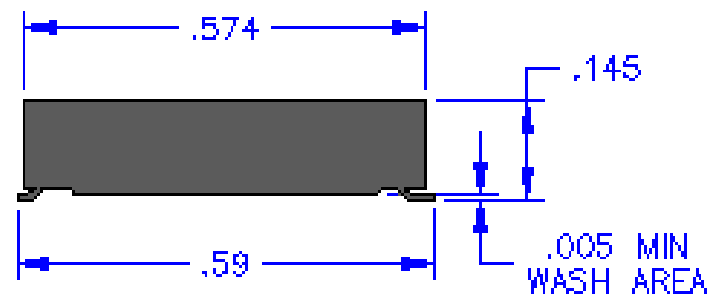


Package - P Comparison between FNL vs. NL

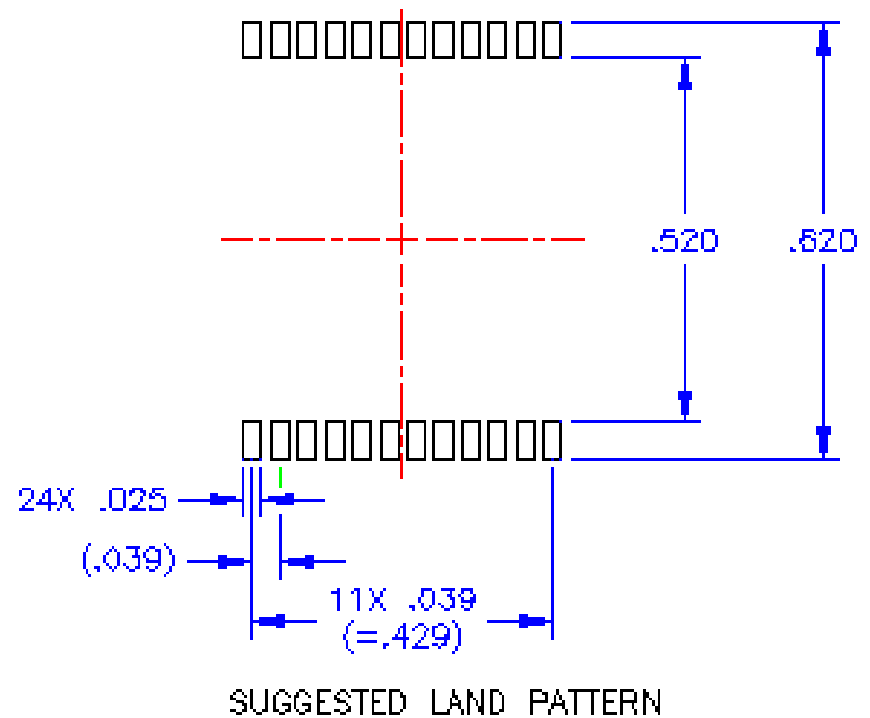
NL



FNL

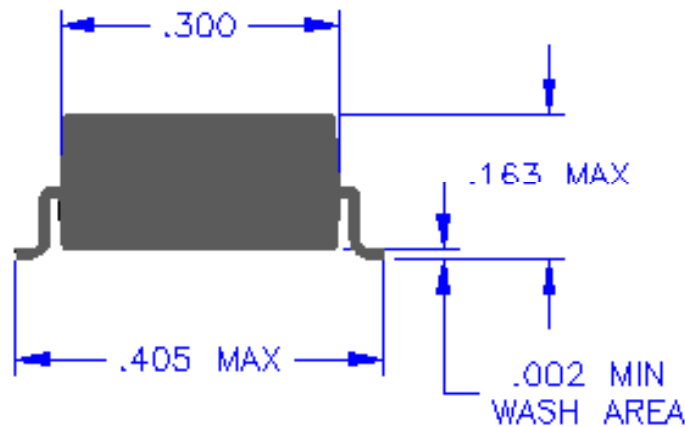


Same Footprint

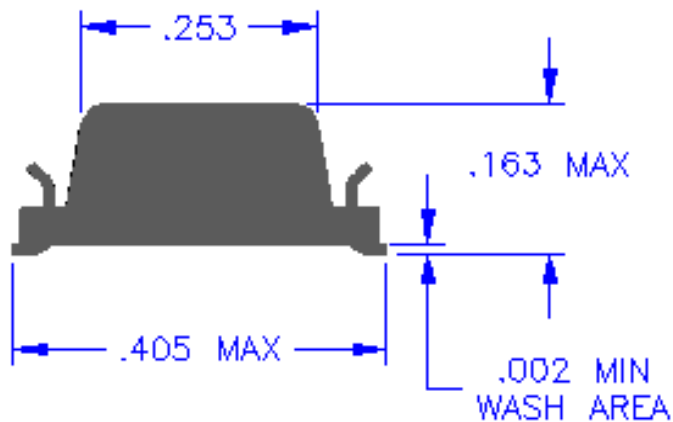


Package - Q Comparison between FNL vs. NL

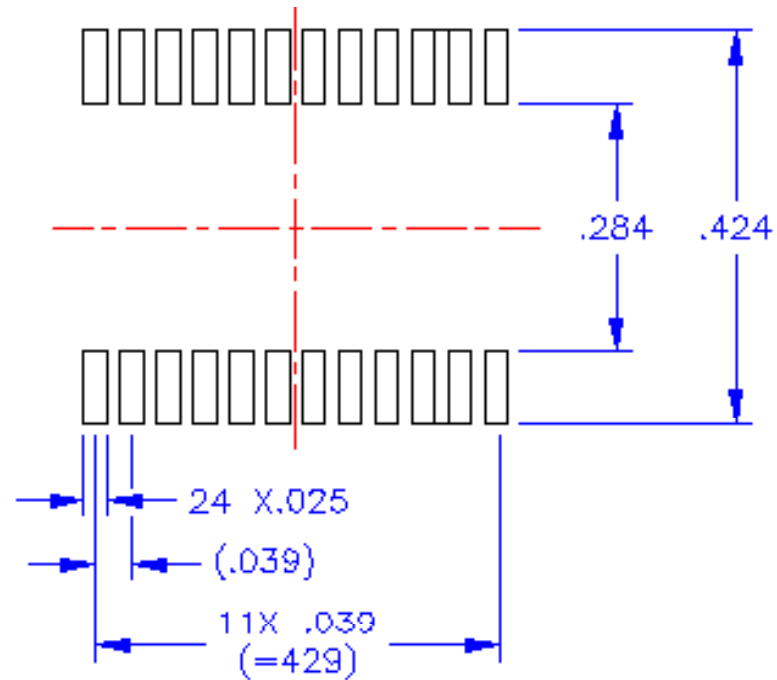
NL



FNL



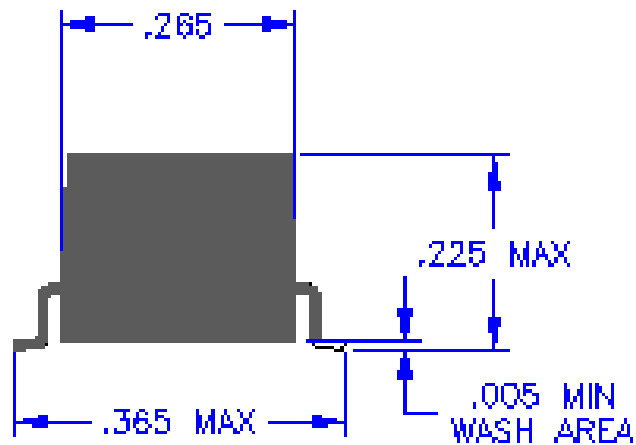
Same Footprint



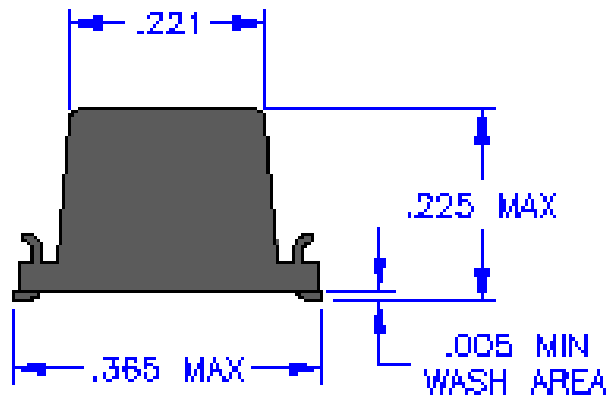
SUGGESTED LAND PATTERN

Package - R Comparison between FNL vs. NL

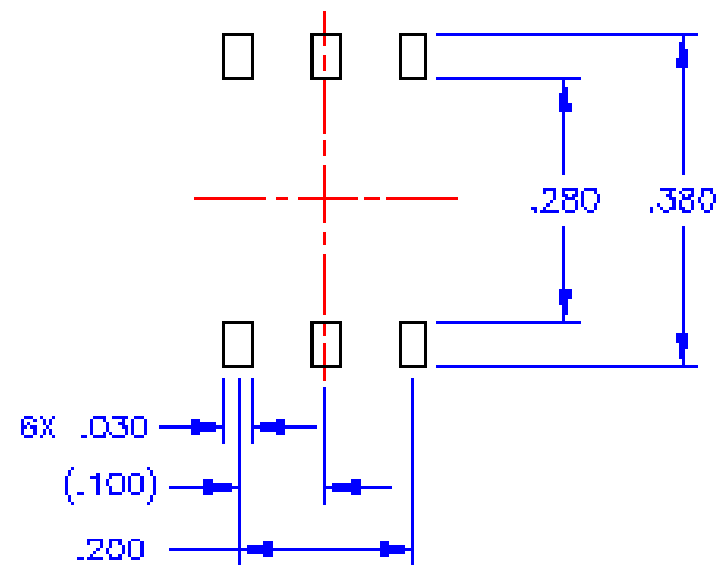
NL



FNL

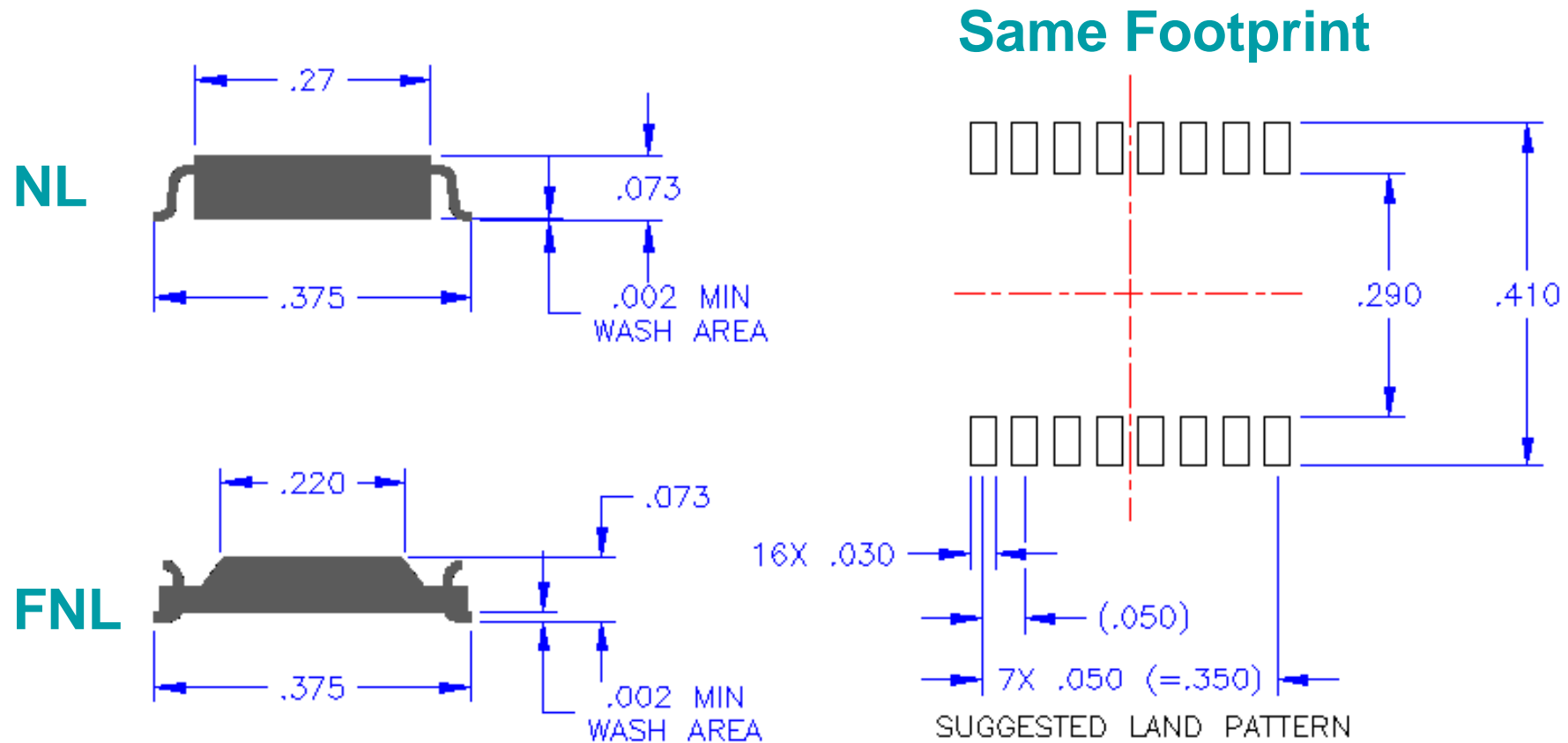


Same Footprint

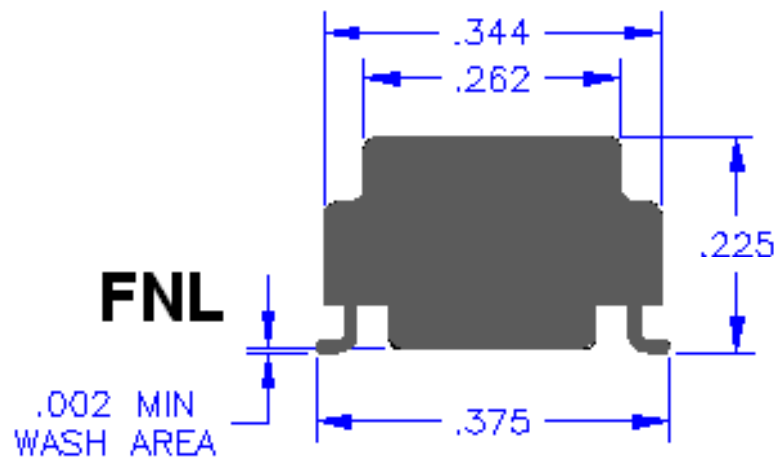
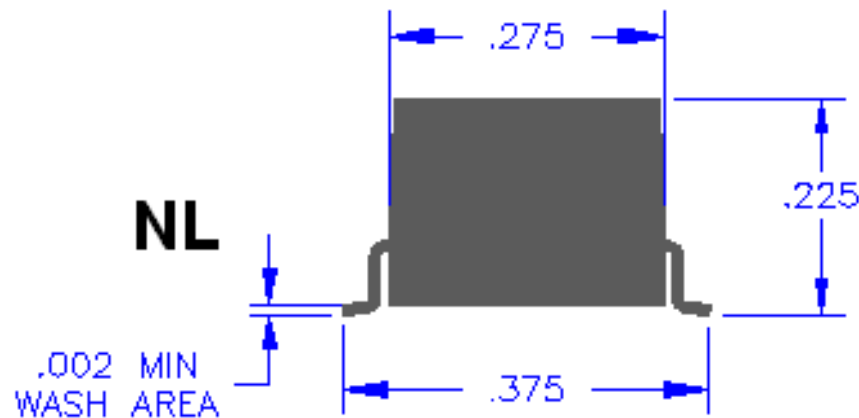


SUGGESTED LAND PATTERN

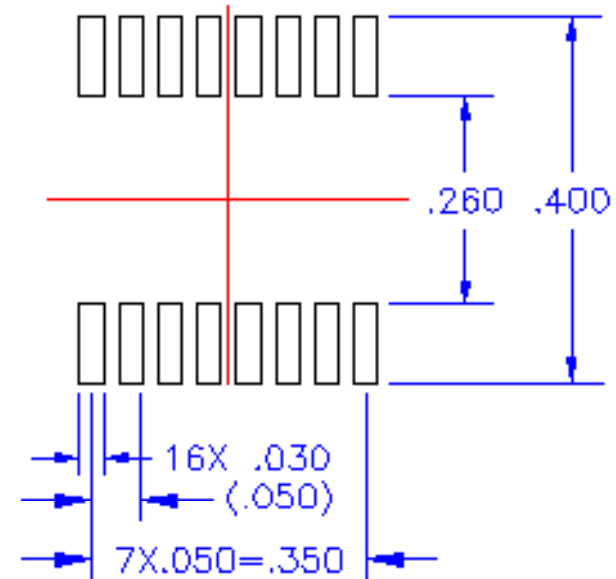
Package - S Comparison between FNL vs. NL



Package - T Comparison between FNL vs. NL

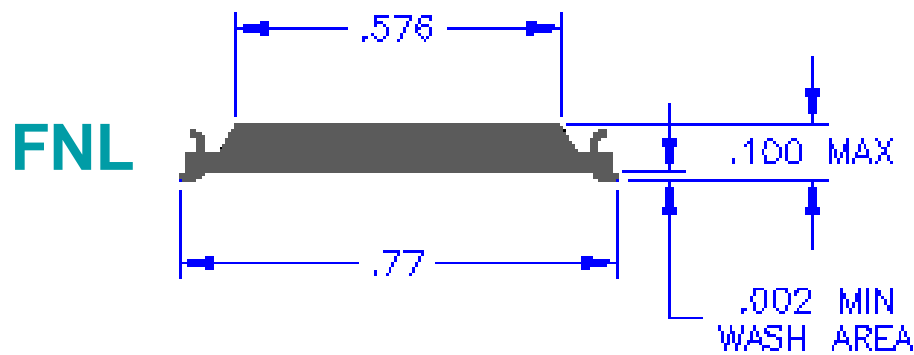
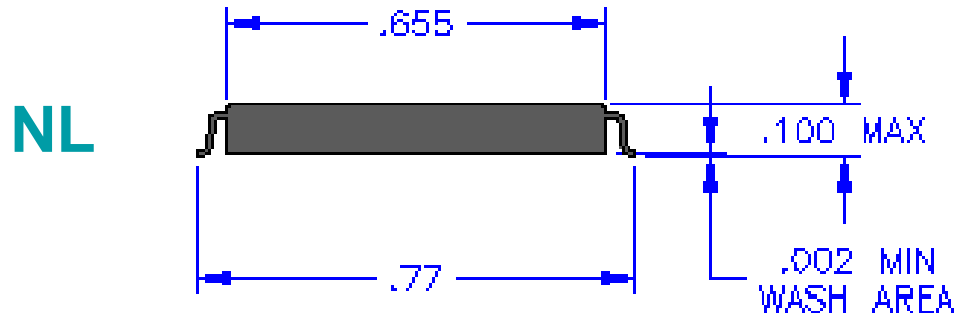


Same Footprint

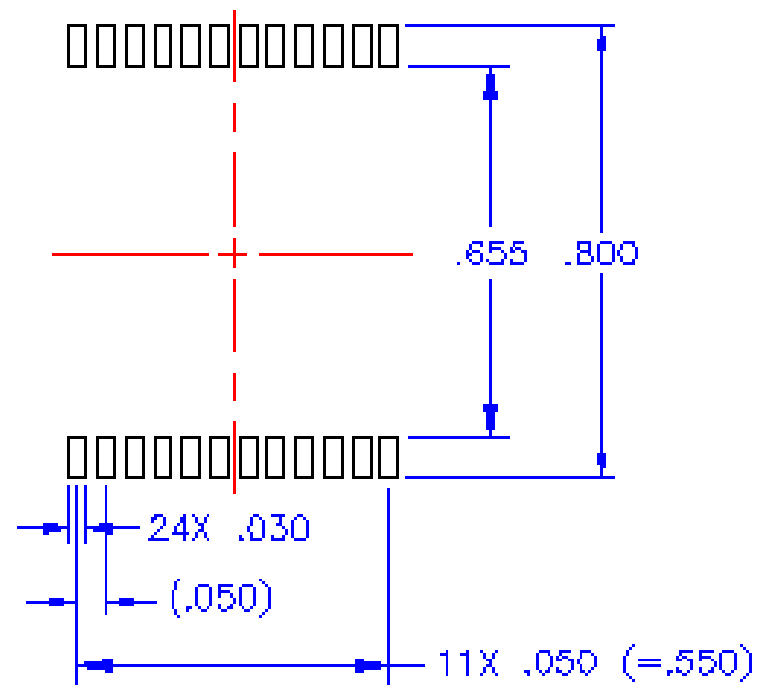


SUGGESTED LAND PATTERN

Package - T - O Comparison between FNL vs. NL



Same Footprint



SUGGESTED LAND PATTERN